

DIGIRULE2



USER MANUAL

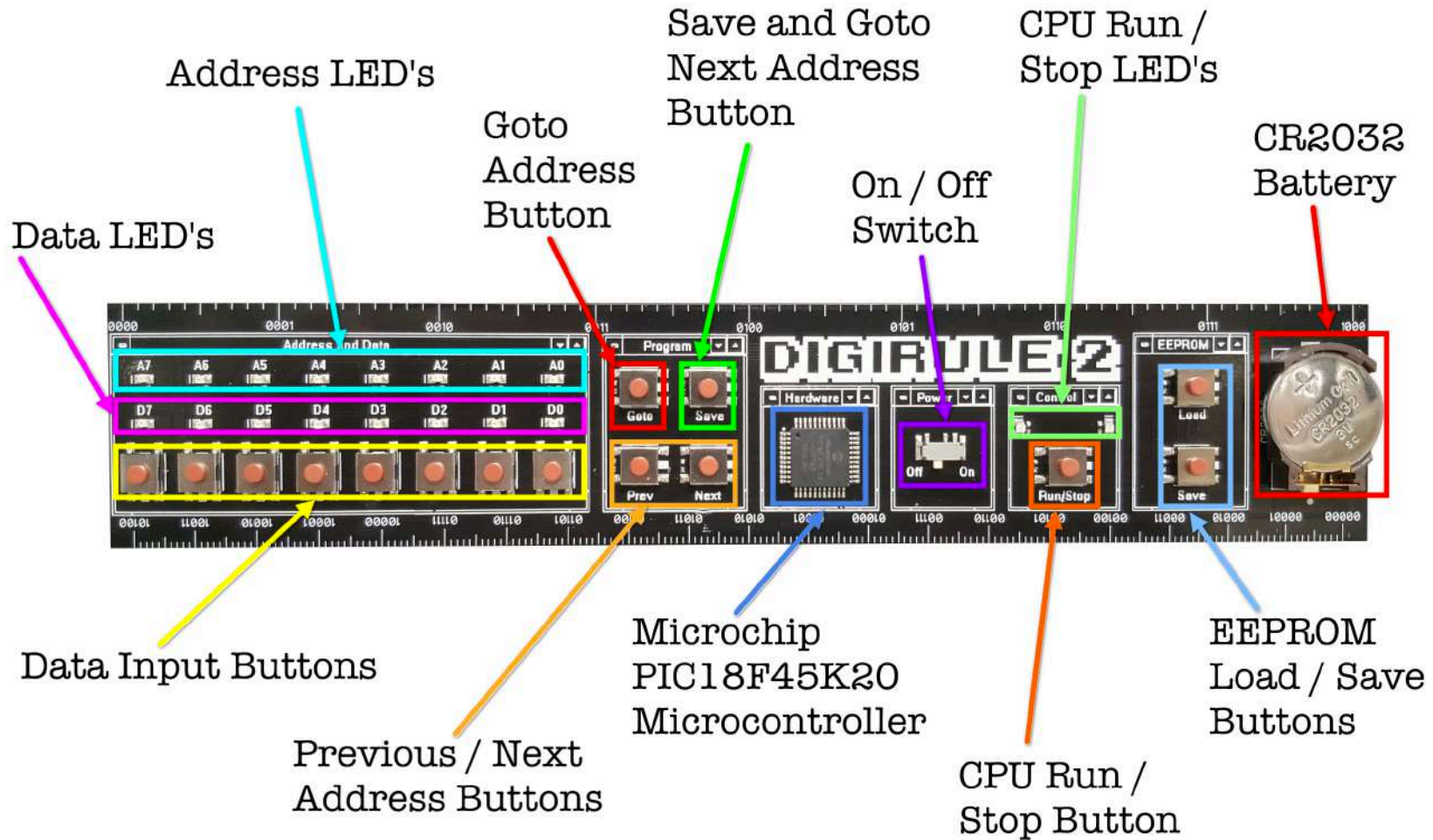
DESCRIPTION

The Digirule2 is an open source hardware - programmable 8-bit binary computer built into a 20cm (8") PCB ruler and is powered by an 8-bit Microchip PIC18F45K20 microcontroller.

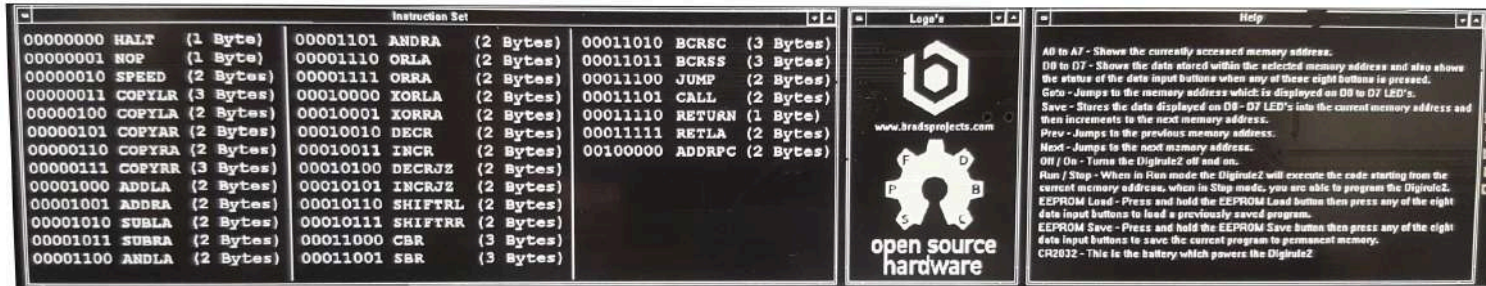
Full details can be found here: bradsprojects.com/digirule2

OVERVIEW

The top of the Digirule2 contains all buttons, power switch, battery, microcontroller and LED's:



The Rear of the Digirule2 contains a summary of the instruction set, logo's and some basic help details:



OPERATION

Run/Stop Modes

The Digirule2 has two modes of operation, run mode and stop mode. When in stop mode, the device is able to be programmed, and programs can be stored to permanent memory and restored from permanent memory. When in run mode, the CPU is running through the program which is stored within the 256 bytes of memory. The 'run/stop' button will toggle between run mode and stop mode.

Programming the Digirule2

Ensuring the Digirule2 is in stop mode, a program may be entered by using the 8 data input buttons - the status of each of the 8 bits is shown using the corresponding data LED. If a data LED is off, pressing the corresponding data button will turn it on and vice-versa. The address LED's show the currently accessed memory address. To store your 8 bits of data into the current address and advance to the next address in sequence - simply press the 'save' button within the 'program' window.

You can check the contents of each address by using the 'prev' and 'next' buttons, the address will show on the address LED's while the data stored within that address will show on the data LED's. To jump to a specific address, simply enter the address in on the data input buttons, then press the 'goto' button.

Storing a Program in Permanent Memory

You can store up to eight individual 256 byte programs in permanent memory. This will hold your programs even if the battery is removed. To do this, press and hold the 'save' button within the EEPROM window, the data LED's will animate left and right - then press any of the eight data input buttons to store you program within that particular memory slot. You may now release the buttons.

Loading a Program from Permanent Memory

To load one of the eight, 256 byte blocks of memory, simply press and hold the 'load' button within the 'EEPROM' window. The data LED's will animate back and forth - then press any of the eight data input button to load the program within that particular memory slot. You may now release the buttons.

Running a Program

To run a program, simply access the address of the start of the program (which would normally be 00000000) and then press the 'run/stop' button. You can start a program from any address however and can even have multiple programs within a 256 byte block. For example you could have one program which uses addresses 00000000 to 00011111 and then have another program which uses addresses 00100000 to 11111111. To run the first program, simply access address 00000000 then press the 'run/stop' button. To access the second program, simply access address 00100000 then press the 'run/stop' button.

Stopping a Program

Simply press the 'run/stop' button to stop the currently running program.

Turning Off the Address LED's While the CPU is Running

When the CPU is in run mode, you can toggle the address LED's on and off by pressing the 'goto' button.

Preconfigured Registers

The Digirule2 has four registers (addresses) which are set aside for specific uses. These are the last four address within the 256 byte memory and are as follows:

Address 252 (binary 11111100) = Status register. This register can be read from or written to.

Bit 0 = zero flag (logic 0 means the previous instruction resulted in a non-zero answer while a logic 1 means the previous instruction resulted in a zero answer).

Bit 1 = carry flag (logic 0 means the previous instruction gave a carry of 0 while a logic 1 means the previous instruction gave a carry of 1).

Bit 2 = address LED function flag (logic 0 means the address LED's function as normal - showing the currently accessed address while a logic 1 means the address LED's will show the data loaded into the addressLEDRegister).

Address 253 (binary 11111101) = Button Register. This register can be read from in order to obtain the status of each of the eight data buttons. This is useful to allow user input while a program is running.

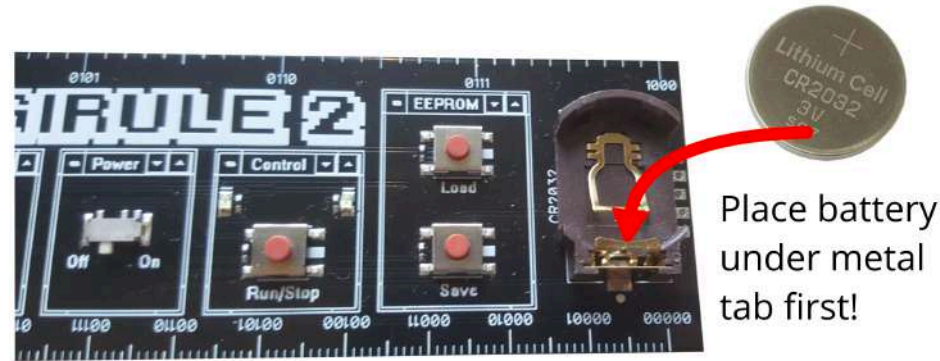
Address 254 (binary 11111110) = Address LED Register. This register can be read from or written to. This register is written to in order to show data on the 8 address LED's. NOTE - in order for this to function, you must first set bit 2 within the status register otherwise the address LED's will show the currently accessed memory address.

Address 255 (binary 11111111) = Data LED Register. This register can be read from or written to. This register is written to in order to show data on the 8 data LED's.

INSERTING THE BATTERY

It is important that care be taken when installing the CR2032 battery. Ensure the battery has the positive label facing up (away from the Digirule2) and the battery is slotted under the metal tab FIRST and then pressed down to be held by the plastic tabs. Failing to follow this procedure may result in damage to the metal tab.

 **IMPORTANT!**



FEATURES AND SPECIFICATIONS

- 33 instructions
- Each program can be up to 256 bytes long
- 8 Permanent memory locations to back up your programs
- 8-bit data bus
- 8-bit address bus
- 8 data LED's
- 8 address LED's
- 8 data input buttons
- Address previous and next buttons
- Address go to button
- Data store (and go to next address) button
- CPU run / stop button
- EEPROM load / save buttons
- Powered by a 3V CR2032 coin cell battery

BUILT-IN PROGRAMS

As standard, each Digirule2 comes with 8 basic built-in programs. To access a program, simply hold down the 'LOAD' button, then press any one of the Data Input buttons to load the program from that location. Once loaded, ensure the address LED's show all zeros (all LED's off) then press the run button to execute that program.

List of the eight built-in example programs:

- D0** - Kill the Bit game. (A single LED will shift from right to left, the player needs to press any of the 8 data input buttons in an attempt to turn the corresponding LED off. Pressing a button when the LED is on - will turn it off however pressing a button when the LED is off, will turn it on. The aim of the game is to have all LED's off.)
- D1** - Smiley face persistence of vision display. (once run, press the 'GOTO' button to turn off the address LED's, then wave the ruler back and forth quite fast in a dark room to see some smiley faces drawn in the air)
- D2** - 8-bit counter (uses the data LED's to count from 0 to 255 (00000000 to 11111111))
- D3** - 16-bit counter (uses the Data LED's for the lower 8-bits and the Address LED's as the upper 8-bits)
- D4** - Knightrider KIT car scanner (The Data LED's move back and forth like the KIT car in Knightrider)
- D5** - Button test (once run, press a button to have the corresponding Data LED light up)
- D6** - Target practice (this is a game whereby you have to press a data LED that corresponds with the currently lit LED to score a point. Your score is presented on the address LED's. If you 'shoot' and miss, you lose all of your points.)
- D7** - Police flasher (this just flashes groups of 4 LED's back and forth on the Address and Data LED's)

INSTRUCTION SET SUMMARY

Number	Instruction	Description	Bytes	Flags
0	HALT	Stop executing instructions (performs the same task as pressing the CPU RUN/STOP button)	1	None
1	NOP	No operation	1	None
2	SPEED	Set the speed that the CPU steps through each instruction once the CPU is running	2	None
3	COPYLR	Copy a literal value to the specified RAM location	3	None
4	COPYLA	Copy a literal value to the Accumulator	2	None
5	COPYAR	Copy the contents of the Accumulator to the specified RAM location	2	None
6	COPYRA	Copy the contents of the specified RAM location to the Accumulator	2	Zero
7	COPYRR	Copy the contents of one RAM location to another RAM location	3	Zero
8	ADDLA	Add a literal value to the Accumulator (result stored in Accumulator)	2	Carry, Zero
9	ADDRA	Add the contents of a RAM location to the Accumulator (result stored in Accumulator)	2	Carry, Zero
10	SUBLA	Subtract a literal value from the Accumulator (result stored in the Accumulator)	2	Carry, Zero
11	SUBRA	Subtract the contents of the specified RAM location from the Accumulator (result stored in Accumulator)	2	Carry, Zero
12	ANDLA	AND a literal value with the Accumulator (result stored in Accumulator)	2	Zero
13	ANDRA	AND the contents of the specified RAM location with the Accumulator (result stored in Accumulator)	2	Zero
14	ORLA	OR a literal value with the Accumulator (result stored in Accumulator)	2	Zero
15	ORRA	OR the contents of the specified RAM location with the Accumulator (result stored in Accumulator)	2	Zero
16	XORLA	XOR a literal value with the Accumulator (result stored in Accumulator)	2	Zero
17	XORRA	XOR the contents of the specified RAM location with the Accumulator (result stored in Accumulator)	2	Zero
18	DECR	Decrement the contents of the specified RAM location by one	2	Zero
19	INCR	Increment the contents of the specified RAM location by one	2	Zero
20	DECRJZ	Decrement the contents of the specified RAM location by one, if the result IS zero, skip the next two lines of code	2	Zero
21	INCRJZ	Increment the contents of the specified RAM location by one, if the result IS zero, skip the next two lines of code	2	Zero
22	SHIFTRL	Shift the contents of the specified RAM location left (through the carry flag) by one	2	Carry
23	SHIFTRR	Shift the contents of the specified RAM location right (through the carry flag) by one	2	Carry
24	CBR	Clear the specified bit within the specified RAM location	3	None
25	SBR	Set the specified bit within the specified RAM location	3	None
26	BCRSC	Check the specified bit within the specified RAM location, if it IS a ZERO, skip the next two lines of code	3	None
27	BCRSS	Check the specified bit within the specified RAM location, if it IS a ONE, skip the next two lines of code	3	None
28	JUMP	Jump to a specific RAM location and continue running instructions from there	2	None
29	CALL	Jump to a specific RAM location, continue running instructions from there, then return once a 'RETURN' or 'RETLA' instruction is executed	2	None
30	RETLA	Return to the very next RAM location after the 'CALL' instruction with a literal value stored in the Accumulator	2	None
31	RETURN	Return to the very next RAM location after the 'CALL' instruction	1	None
32	ADDRPC	Add the contents of a RAM location to the Program Counter	2	None

INSTRUCTION SET

0. HALT

Description: Stop executing instructions

Usage: [HALT]

Program Bytes Used: 1

Status Flags Affected: None

Example:

PC Binary	Instruction	Machine Code (Binary)	Machine Code (Decimal)
00000000	HALT	00000000	0

1. NOP

Description: Does not perform any operation

Usage: [NOP]

Program Bytes Used: 1

Status Flags Affected: None

Example:

PC Binary	Instruction	Machine Code (Binary)	Machine Code (Decimal)
00000000	NOP	00000001	1

2. SPEED

Description: Set the speed that the Digirule2 steps between instructions (the higher the number – the slower the speed)

Usage: [SPEED] [Value to copy]

Program Bytes Used: 2

Status Flags Affected: None

Example 1: Set the speed to 129

PC Binary	Instruction	Machine Code (Binary)	Machine Code (Decimal)
00000000	SPEED	00000010	2
00000001	129	10000001	129

Example 2: Set the speed to 23

PC Binary	Instruction	Machine Code (Binary)	Machine Code (Decimal)
00000000	SPEED	00000010	2
00000001	23	00010111	23

3. COPYLR

Description: Copy a literal value to the specified RAM location

Usage: [COPYLR] [Value to copy] [RAM location to store the Value]

Program Bytes Used: 3

Status Flags Affected: None

Example 1: Copy the number 35 (binary 00100011) to RAM location 240 (binary 11110000)

Pre-conditions: RAM location 240 = 0 (binary 00000000)

PC Binary	Instruction	Machine Code (Binary)	Machine Code (Decimal)
00000000	COPYLR	00000011	3
00000001	35	00100011	35
00000010	240	11110000	240

Post-conditions: RAM location 240 = 35 (binary 00100011)

Example 2: Copy the number 82 (binary 01010010) to 'myVariable' ('myVariable' is an alias for RAM location 241)

Pre-conditions: 'myVariable' = 15 (binary 00001111)

PC Binary	Instruction	Machine Code (Binary)	Machine Code (Decimal)
00000000	COPYLR	00000011	3
00000001	82	01010010	82
00000010	myVariable	11110001	241

Post-conditions: 'myVariable' = 82 (binary 01010010)

4. COPYLA

Description: Copy a literal value to the Accumulator.

Usage: [COPYLA] [Value to copy]

Program Bytes Used: 2

Status Flags Affected: None

Example 1: Copy the number 123 (binary 01111011) to the Accumulator

Pre-conditions: Accumulator = 16 (binary 00010000)

PC Binary	Instruction	Machine Code (Binary)	Machine Code (Decimal)
00000000	COPYLA	00000100	4
00000001	123	01111011	123

Post-conditions: Accumulator = 123 (binary 01111011)

5. COPYAR

Description: Copy the contents of the Accumulator to the specified RAM location

Usage: [COPYAR] [RAM location to store the number]

Program Bytes Used: 2

Status Flags Affected: None

Example 1: Copy the contents of the Accumulator to RAM location 250 (binary 11111100).

Pre-conditions: Accumulator = 2 (binary 00000010)
RAM location 250 (binary 11111010) = 7 (binary 00000111)

PC Binary	Instruction	Machine Code (Binary)	Machine Code (Decimal)
00000000	COPYAR	00000101	5
00000001	250	11111010	250

Post-conditions: Accumulator = 2 (binary 00000010)
RAM location 250 (binary 11111010) = 2 (binary 00000010)

Example 2: Copy the contents of the Accumulator to 'myVariable' ('myVariable' is an alias for RAM location 252)

Pre-conditions: Accumulator = 129 (binary 10000001)
'myVariable' = 20 (binary 00010100)

PC Binary	Instruction	Machine Code (Binary)	Machine Code (Decimal)
00000000	COPYAR	00000101	5
00000001	252	11111100	252

Post-conditions: Accumulator = 129 (binary 10000001)
'myVariable' = 129 (binary 10000001)

6. COPYRA

Description: Copy the contents of the specified RAM location to the Accumulator

Usage: [COPYRA] [RAM location to copy the value from]

Program Bytes Used: 2

Status Flags Affected: Zero Flag

Example 1: Copy the contents of RAM location 243 (binary 11110011) to the Accumulator

Pre-conditions: Accumulator = 16 (binary 00010000)
RAM location 243 (binary 11110011) = 127 (binary 01111111)
Zero Flag = 0

PC Binary	Instruction	Machine Code (Binary)	Machine Code (Decimal)
00000000	COPYRA	00000110	6
00000001	243	11110011	243

Post-conditions: Accumulator = 127 (binary 01111111)
RAM location 243 (binary 11110011) = 127 (binary 01111111)
Zero Flag = 0

Example 2: Copy the contents of 'myVariable' to the accumulator

Pre-conditions: Accumulator = 56 (binary 00111000)
'myVariable' = 32 (binary 00100000)

PC Binary	Instruction	Machine Code (Binary)	Machine Code (Decimal)
00000000	COPYRA	00000110	6
00000001	myVariable	11111101	252

Post-conditions: Accumulator = 32 (binary 00100000)
'myVariable' = 32 (binary 00100000)

7. COPYRR

Description: Copy the contents of one RAM location to another

Usage: [COPYRR] [RAM location to copy the value from] [RAM location to copy the value to]

Program Bytes Used: 3

Status Flags Affected: Zero Flag

Example 1: Copy the contents of RAM location 252 (binary 11111100) to RAM location 253 (binary 11111101)

Pre-conditions: RAM location 252 (binary 11111100) = 10 (binary 00001010)
RAM location 253 (binary 11111101) = 0 (binary 00000000)
Zero Flag = 0

PC Binary	Instruction	Machine Code (Binary)	Machine Code (Decimal)
00000000	COPYRR	00000111	7
00000001	252	11111100	252
00000010	253	11111101	253

Post-conditions: RAM location 252 (binary 11111100) = 10 (binary 00001010)
RAM location 253 (binary 11111101) = 10 (binary 00001010)
Zero Flag = 0

Example 2: Copy the contents of 'myVariable' to 'myOtherVariable' ('myVariable' is an alias for RAM location 244 while 'myOtherVariable' is an alias for RAM location 245)

Pre-conditions: 'myVariable' = 0 (binary 00000000)
'myOtherVariable' = 25 (binary 00011001)
Zero Flag = 0

PC Binary	Instruction	Machine Code (Binary)	Machine Code (Decimal)
00000000	COPYRR	00000111	7
00000001	myVariable	11110100	244
00000010	myOtherVariable	11110101	245

Post-conditions: 'myVariable' = 0 (binary 00000000)
'myOtherVariable' = 0 (binary 00000000)
Zero Flag = 1

8. ADDLA

Description: Add a literal value to the Accumulator

Usage: [ADDLA] [Value to add]

Program Bytes Used: 2

Status Flags Affected: Zero Flag, Carry Flag

Example 1: Add the literal value 15 (binary 00001111) to the Accumulator

Pre-conditions: Accumulator = 0 (binary 00000000)
Zero Flag = 1
Carry Flag = 0

PC Binary	Instruction	Machine Code (Binary)	Machine Code (Decimal)
00000000	ADDLA	00001000	8
00000001	15	00001111	15

Post-conditions: Accumulator = 15 (binary 00001111)
Zero Flag = 0
Carry Flag = 0

Example 2: Add the literal value 16 (binary 00010000) to the Accumulator

Pre-conditions: Accumulator = 255 (binary 11111111)
Zero Flag = 0
Carry Flag = 0

PC Binary	Instruction	Machine Code (Binary)	Machine Code (Decimal)
00000000	ADDLA	00001000	8
00000001	1	00000001	1

Post-conditions: Accumulator = 0 (binary 00000000)
Zero Flag = 1
Carry Flag = 1

9. ADDRA

Description: Add the value contained within a RAM location to the Accumulator

Usage: [ADDRA] [RAM location of value to add to the Accumulator]

Program Bytes Used: 2

Status Flags Affected: Zero Flag, Carry Flag

Example 1: Add the value stored within RAM location 250 (binary 11111010) to the Accumulator

Pre-conditions: Accumulator = 100 (binary 01100100)
RAM location 250 (binary 11111010) = 100 (binary 01100100)
Zero Flag = 0
Carry Flag = 0

PC Binary	Instruction	Machine Code (Binary)	Machine Code (Decimal)
00000000	ADDRA	00001001	9
00000001	250	11111010	250

Post-conditions: Accumulator = 200 (binary 11001000)
RAM location 250 (binary 11111010) = 100 (binary 01100100)
Zero Flag = 0
Carry Flag = 0

Example 2: Add the value stored within 'myVariable' to the Accumulator ('myVariable' is an alias for RAM location 249)

Pre-conditions: Accumulator = 40 (binary 00101000)
'myVariable' = 72 (binary 01001000)
Zero Flag = 0
Carry Flag = 0

PC Binary	Instruction	Machine Code (Binary)	Machine Code (Decimal)
00000000	ADDRA	00001001	9
00000001	myVariable	11111001	249

Post-conditions: Accumulator = 112 (binary 01110000)
'myVariable' = 72 (binary 01001000)
Zero Flag = 0
Carry Flag = 0

10. SUBLA

Description: Subtract a literal value from the Accumulator

Usage: [SUBLA] [Value to subtract]

Program Bytes Used: 2

Status Flags Affected: Zero Flag, Carry Flag

Example 1: Subtract the literal value 20 (binary 00010100) from the Accumulator

Pre-conditions: Accumulator = 20 (binary 00010100)
Zero Flag = 0
Carry Flag = 0

PC Binary	Instruction	Machine Code (Binary)	Machine Code (Decimal)
00000000	SUBLA	00001010	10
00000001	20	00010100	20

Post-conditions: Accumulator = 0 (binary 00000000)
Zero Flag = 1
Carry Flag = 0

Example 2: Subtract the literal value 41 (binary 00101001) from the Accumulator

Pre-conditions: Accumulator = 40 (binary 00101000)
Zero Flag = 0
Carry Flag = 0

PC Binary	Instruction	Machine Code (Binary)	Machine Code (Decimal)
00000000	SUBLA	00001010	10
00000001	20	00010100	20

Post-conditions: Accumulator = 1 (binary 00000001)
Zero Flag = 0
Carry Flag = 1

11. SUBRA

Description: Subtract the value stored in a RAM location, from the Accumulator

Usage: [SUBRA] [RAM location of value to subtract from the Accumulator]

Program Bytes Used: 2

Status Flags Affected: Zero Flag, Carry Flag

Example 1: Subtract the value stored within RAM location 250 (binary 11111010) from the Accumulator

Pre-conditions: Accumulator = 201 (binary 11001001)
RAM location 250 (binary 11111010) = 34 (binary 00100010)
Zero Flag = 0
Carry Flag = 0

PC Binary	Instruction	Machine Code (Binary)	Machine Code (Decimal)
00000000	SUBRA	00001011	11
00000001	250	11111010	250

Post-conditions: Accumulator = 167 (binary 11001000)
RAM location 250 (binary 11111010) = 34 (binary 00100010)
Zero Flag = 0
Carry Flag = 0

Example 2: Subtract the value stored within 'myVariable' from the Accumulator ('myVariable' is an alias for RAM location 245)

Pre-conditions: Accumulator = 255 (binary 11111111)
'myVariable' = 255 (binary 11111111)
Zero Flag = 0
Carry Flag = 0

PC Binary	Instruction	Machine Code (Binary)	Machine Code (Decimal)
00000000	SUBRA	00001011	11
00000001	myVariable	11110101	245

Post-conditions: Accumulator = 0 (binary 00000000)
'myVariable' = 255 (binary 11111111)
Zero Flag = 1
Carry Flag = 0

12. ANDLA

Description: AND a literal value with the contents of the Accumulator

Usage: [ANDLA] [Value to AND with the Accumulator]

Program Bytes Used: 2

Status Flags Affected: Zero Flag

Example 1: AND the literal value 255 (binary 11111111) with the Accumulator

Pre-conditions: Accumulator = 170 (binary 10101010)
Zero Flag = 0

PC Binary	Instruction	Machine Code (Binary)	Machine Code (Decimal)
00000000	ANDLA	00001100	12
00000001	255	11111111	255

Post-conditions: Accumulator = 167 (binary 10101010)
Zero Flag = 0

Example 2: AND the literal value 99 (binary 01100011) with the Accumulator

Pre-conditions: Accumulator = 156 (binary 10011100)
Zero Flag = 0

PC Binary	Instruction	Machine Code (Binary)	Machine Code (Decimal)
00000000	ANDLA	00001100	12
00000001	99	01100011	99

Post-conditions: Accumulator = 167 (binary 00000000)
Zero Flag = 1

13. ANDRA

Description: AND the contents of the specified RAM location with the Accumulator

Usage: [ANDRA] [RAM location of value to AND with Accumulator]

Program Bytes Used: 2

Status Flags Affected: Zero Flag

Example 1: AND the contents of RAM location 240 (binary 11110000) with the Accumulator

Pre-conditions: Accumulator = 48 (binary 00110000)
RAM location 240 (binary 11110000) = 16 (binary 00010000)
Zero Flag = 0

PC Binary	Instruction	Machine Code (Binary)	Machine Code (Decimal)
00000000	ANDRA	00001101	13
00000001	240	11110000	240

Post-conditions: Accumulator = 16 (binary 00010000)
RAM location 240 (binary 11110000) = 16 (binary 00010000)
Zero Flag = 0

Example 2: AND the contents of RAM location 242 (binary 11110010) with the Accumulator

Pre-conditions: Accumulator = 7 (binary 00000111)
RAM location 242 (binary 11110010) = 129 (binary 10000001)
Zero Flag = 0

PC Binary	Instruction	Machine Code (Binary)	Machine Code (Decimal)
00000000	ANDRA	00001101	13
00000001	242	11110010	242

Post-conditions: Accumulator = 1 (binary 00000001)
RAM location 242 (binary 11110010) = 129 (binary 10000001)
Zero Flag = 0

14. ORLA

Description: OR a literal value with the contents of the Accumulator

Usage: [ORLA] [Value to OR with the Accumulator]

Program Bytes Used: 2

Status Flags Affected: Zero Flag

Example 1: OR the literal value 240 (binary 11110000) with the Accumulator

Pre-conditions: Accumulator = 15 (binary 00001111)
Zero Flag = 0

PC Binary	Instruction	Machine Code (Binary)	Machine Code (Decimal)
00000000	ORLA	00001110	14
00000001	240	11110000	240

Post-conditions: Accumulator = 255 (binary 11111111)
Zero Flag = 0

Example 2: OR the literal value 3 (binary 00000011) with the Accumulator

Pre-conditions: Accumulator = 4 (binary 00000100)
Zero Flag = 0

PC Binary	Instruction	Machine Code (Binary)	Machine Code (Decimal)
00000000	ORLA	00001110	14
00000001	3	00000011	3

Post-conditions: Accumulator = 7 (binary 00000111)
Zero Flag = 0

15. ORRA

Description: OR the contents of the specified RAM location with the Accumulator

Usage: [ORRA] [RAM location of value to OR with Accumulator]

Program Bytes Used: 2

Status Flags Affected: Zero Flag

Example 1: OR the contents of RAM location 241 (binary 11110001) with the Accumulator

Pre-conditions: Accumulator = 12 (binary 00001100)
RAM location 241 (binary 11110001) = 129 (binary 10000001)
Zero Flag = 0

PC Binary	Instruction	Machine Code (Binary)	Machine Code (Decimal)
00000000	ORRA	00001111	15
00000001	241	11110001	241

Post-conditions: Accumulator = 131 (binary 10001101)
RAM location 241 (binary 11110001) = 129 (binary 10000001)
Zero Flag = 0

Example 2: OR the contents of RAM location 249 (binary 11111001) with the Accumulator

Pre-conditions: Accumulator = 1 (binary 00000001)
RAM location 249 (binary 11111001) = 9 (binary 00001001)
Zero Flag = 0

PC Binary	Instruction	Machine Code (Binary)	Machine Code (Decimal)
00000000	ORRA	00001111	15
00000001	249	11111001	249

Post-conditions: Accumulator = 9 (binary 00001001)
RAM location 249 (binary 11111001) = 9 (binary 00001001)
Zero Flag = 0

16. XORLA

Description: XOR a literal value with the contents of the Accumulator

Usage: [XORLA] [Value to XOR with the Accumulator]

Program Bytes Used: 2

Status Flags Affected: Zero Flag

Example 1: XOR the literal value 255 (binary 11111111) with the Accumulator

Pre-conditions: Accumulator = 170 (binary 10101010)
Zero Flag = 0

PC Binary	Instruction	Machine Code (Binary)	Machine Code (Decimal)
00000000	XORLA	00010000	16
00000001	255	11111111	255

Post-conditions: Accumulator = 85 (binary 01010101)
Zero Flag = 0

Example 2: XOR the literal value 32 (binary 00100000) with the Accumulator

Pre-conditions: Accumulator = 32 (binary 00100000)
Zero Flag = 0

PC Binary	Instruction	Machine Code (Binary)	Machine Code (Decimal)
00000000	XORLA	00010000	16
00000001	32	00100000	32

Post-conditions: Accumulator = 0 (binary 00000000)
Zero Flag = 1

17. XORRA

Description: XOR the contents of the specified RAM location with the Accumulator

Usage: [XORRA] [RAM location of value to XOR with Accumulator]

Program Bytes Used: 2

Status Flags Affected: Zero Flag

Example 1: XOR the contents of RAM location 245 (binary 11110101) with the Accumulator

Pre-conditions: Accumulator = 15 (binary 00001111)
RAM location 245 (binary 11110101) = 9 (binary 00001001)
Zero Flag = 0

PC Binary	Instruction	Machine Code (Binary)	Machine Code (Decimal)
00000000	XORRA	00010001	17
00000001	245	11110101	245

Post-conditions: Accumulator = 6 (binary 00000110)
RAM location 245 (binary 11110101) = 9 (binary 00001001)
Zero Flag = 0

Example 2: XOR the contents of RAM location 250 (binary 11111010) with the Accumulator

Pre-conditions: Accumulator = 21 (binary 00010101)
RAM location 250 (binary 11111010) = 255 (binary 11111111)
Zero Flag = 0

PC Binary	Instruction	Machine Code (Binary)	Machine Code (Decimal)
00000000	XORRA	00010001	17
00000001	250	11111010	250

Post-conditions: Accumulator = 234 (binary 11101010)
RAM location 250 (binary 11111010) = 255 (binary 11111111)
Zero Flag = 0

18. DECR

Description: Decrement the value stored within a specified RAM location by one.

Usage: [DECR] [RAM location of value with which to decrement]

Program Bytes Used: 2

Status Flags Affected: Zero Flag

Example 1: Decrement the value stored within RAM location 248 by one

Pre-conditions: RAM location 248 (binary 11111000) = 43 (binary 00101011)
Zero Flag = 0

PC Binary	Instruction	Machine Code (Binary)	Machine Code (Decimal)
00000000	DECR	00100010	18
00000001	248	11111000	248

Post-conditions: RAM location 248 (binary 11111000) = 42 (binary 00101010)
Zero Flag = 0

Example 2: Decrement the value stored within RAM location 241 by one

Pre-conditions: RAM location 241 (binary 11110001) = 1 (binary 00000001)
Zero Flag = 0

PC Binary	Instruction	Machine Code (Binary)	Machine Code (Decimal)
00000000	DECR	00100010	18
00000001	241	11110001	241

Post-conditions: RAM location 241 (binary 11110001) = 0 (binary 00000000)
Zero Flag = 1

19. INCR

Description: Increment the value stored within a specified RAM location by one.

Usage: [INCR] [RAM location of value with which to increment]

Program Bytes Used: 2

Status Flags Affected: Zero Flag

Example 1: Increment the value stored within RAM location 248 (binary 11111000) by one

Pre-conditions: RAM location 248 (binary 11111000) = 255 (binary 11111111)
Zero Flag = 0

PC Binary	Instruction	Machine Code (Binary)	Machine Code (Decimal)
00000000	INCR	00100011	19
00000001	248	11111000	248

Post-conditions: RAM location 248 (binary 11111000) = 0 (binary 00000000)
Zero Flag = 1

Example 2: Increment the value stored within RAM location 241 (binary 11111001) by one

Pre-conditions: RAM location 241 (binary 11111001) = 1 (binary 00000001)
Zero Flag = 0

PC Binary	Instruction	Machine Code (Binary)	Machine Code (Decimal)
00000000	INCR	00100011	19
00000001	241	11111001	241

Post-conditions: RAM location 241 (binary 11111001) = 2 (binary 00000010)
Zero Flag = 0

20. DECRJZ

Description: Decrement the value stored within a specified RAM location by one then check the result. if the result IS zero – skip the next two lines of code. If the answer is NOT zero – continue with the next line of code.

Usage: [DECRJZ] [RAM location of value with which to decrement]

Program Bytes Used: 2

Status Flags Affected: Zero Flag

Example 1: Decrement the value stored within RAM location 250 (binary 11111010) by one then check the result.

Pre-conditions: RAM location 250 (binary 11111010) = 5 (binary 00000101)
Zero Flag = 0

PC Binary	Instruction	Machine Code (Binary)	Machine Code (Decimal)
00000000	DECRJZ	00010100	20
00000001	250	11111010	250
00000010	JUMP	00011100	28
00000011	0	00000000	0
00000100	HALT	00000000	0

Post-conditions: RAM location 250 (binary 11111010) = 4 (binary 00000100)
Zero Flag = 0

Notes: Since the result of the decrement is NOT zero, the very next line of code is executed. In this case the program will JUMP back to line 0 (binary 00000000) which will execute another DECRJZ instruction.

Example 2: Decrement the value stored within RAM location 250 (binary 11111010) by one then check the result.

Pre-conditions: RAM location 250 (binary 11111010) = 1 (binary 00000001)
Zero Flag = 0

PC Binary	Instruction	Machine Code (Binary)	Machine Code (Decimal)
00000000	DECRJZ	00010100	20
00000001	250	11111010	250
00000010	JUMP	00011100	28
00000011	0	00000000	0
00000100	HALT	00000000	0

Post-conditions: RAM location 250 (binary 11111010) = 0 (binary 00000000)
Zero Flag = 1

Notes: Since the result of the decrement IS zero, the next two lines of code are skipped, and the HALT instruction is executed.

21. INCRJZ

Description: Increment the value stored within a specified RAM location by one then check the result. if the result IS zero – skip the next two lines of code. If the answer is NOT zero – continue with the next line of code.

Usage: [INCRJZ] [RAM location of value with which to increment]

Program Bytes Used: 2

Status Flags Affected: Zero Flag

Example 1: Increment the value stored within RAM location 252 (binary 11111100) by one then check the result.

Pre-conditions: RAM location 252 (binary 11111100) = 222 (binary 11011110)
Zero Flag = 0

PC Binary	Instruction	Machine Code (Binary)	Machine Code (Decimal)
00000000	INCRJZ	00010101	21
00000001	252	11111100	252
00000010	JUMP	00011100	28
00000011	0	00000000	0
00000100	HALT	00000000	0

Post-conditions: RAM location 252 (binary 11111100) = 223 (binary 11011111)
Zero Flag = 0

Notes: Since the result of the increment is NOT zero, the very next line of code is executed. In this case the program will JUMP back to line 0 (binary 00000000) which will execute another INCRJZ instruction.

Example 2: Increment the value stored within RAM location 252 (binary 11111100) by one then check the result.

Pre-conditions: RAM location 252 (binary 11111100) = 255 (binary 11111111)
Zero Flag = 0

PC Binary	Instruction	Machine Code (Binary)	Machine Code (Decimal)
00000000	INCRJZ	00010101	21
00000001	252	11111100	252
00000010	JUMP	00011100	28
00000011	0	00000000	0
00000100	HALT	00000000	0

Post-conditions: RAM location 252 (binary 11111100) = 0 (binary 00000000)
Zero Flag = 1

Notes: Since the result of the increment IS zero, the next two lines of code are skipped, and the HALT instruction is executed.

22. SHIFTRL

Description: Shift the data stored within a specified RAM location left by one through carry.

Usage: [SHIFTRL] [RAM location of data with which to shift]

Program Bytes Used: 2

Status Flags Affected: Carry Flag

Example 1: Shift the value stored within RAM location 241 (binary 11110001) left by one through carry.

Pre-conditions: RAM location 241 (binary 11110001) = 85 (binary 01010101)
Carry Flag = 1

PC Binary	Instruction	Machine Code (Binary)	Machine Code (Decimal)
00000000	SHIFTRL	00010110	22
00000001	241	11110001	241

Post-conditions: RAM location 241 (binary 11110001) = 171 (binary 10101011)
Carry Flag = 0

Example 2: Shift the value stored within RAM location 241 (binary 11110001) left by one through carry.

Pre-conditions: RAM location 241 (binary 11110001) = 171 (binary 10101011)
Carry Flag = 0

PC Binary	Instruction	Machine Code (Binary)	Machine Code (Decimal)
00000000	SHIFTRL	00010110	22
00000001	241	11110001	241

Post-conditions: RAM location 241 (binary 11110001) = 86 (binary 01010110)
Carry Flag = 1

23. SHIFTRR

Description: Shift the data stored within a specified RAM location right by one through carry.

Usage: [SHIFTRR] [RAM location of data with which to shift]

Program Bytes Used: 2

Status Flags Affected: Carry Flag

Example 1: Shift the value stored within RAM location 241 (binary 11110001) right by one through carry.

Pre-conditions: RAM location 241 (binary 11110001) = 85 (binary 01010101)
Carry Flag = 1

PC Binary	Instruction	Machine Code (Binary)	Machine Code (Decimal)
00000000	SHIFTRR	00010111	23
00000001	241	11110001	241

Post-conditions: RAM location 241 (binary 11110001) = 170 (binary 10101010)
Carry Flag = 1

Example 2: Shift the value stored within RAM location 241 (binary 11110001) right by one through carry.

Pre-conditions: RAM location 241 (binary 11110001) = 170 (binary 10101010)
Carry Flag = 1

PC Binary	Instruction	Machine Code (Binary)	Machine Code (Decimal)
00000000	SHIFTRR	00010111	23
00000001	241	11110001	241

Post-conditions: RAM location 241 (binary 11110001) = 213 (binary 11010101)
Carry Flag = 0

24. CBR

Description: Clear a specific bit within a specified RAM location.

Usage: [CBR] [Specified bit with which to clear] [Specified RAM location of data]

Program Bytes Used: 3

Status Flags Affected: None

Example 1: Clear bit 2 (binary 00000010) in RAM location 244 (binary 11110100).

Pre-conditions: RAM location 244 (binary 11110100) = 15 (binary 00001111)

PC Binary	Instruction	Machine Code (Binary)	Machine Code (Decimal)
00000000	CBR	00011000	24
00000001	4	00000100	4
00000010	244	11110100	244

Post-conditions: RAM location 244 (binary 11110100) = 11 (binary 00001011)

Example 2: Clear bit 7 (binary 00000111) in RAM location 240 (binary 11110000).

Pre-conditions: RAM location 240 (binary 11110000) = 255 (binary 11111111)

PC Binary	Instruction	Machine Code (Binary)	Machine Code (Decimal)
00000000	CBR	00011000	24
00000001	7	00000111	4
00000010	240	11110000	240

Post-conditions: RAM location 240 (binary 11110000) = 127 (binary 01111111)

25. SBR

Description: Set a specific bit within a specified RAM location.

Usage: [SBR] [Specified bit with which to set] [Specified RAM location of data]

Program Bytes Used: 3

Status Flags Affected: None

Example 1: Set bit 5 (binary 00000101) in RAM location 251 (binary 11111011).

Pre-conditions: RAM location 251 (binary 11111011) = 0 (binary 00000000)

PC Binary	Instruction	Machine Code (Binary)	Machine Code (Decimal)
00000000	SBR	00011001	25
00000001	5	00000101	5
00000010	251	11111011	251

Post-conditions: RAM location 251 (binary 11111011) = 32 (binary 00100000)

Example 2: Set bit 0 (binary 00000000) in RAM location 243 (binary 11110011).

Pre-conditions: RAM location 243 (binary 11110011) = 254 (binary 11111110)

PC Binary	Instruction	Machine Code (Binary)	Machine Code (Decimal)
00000000	SBR	00011001	25
00000001	0	00000000	0
00000010	243	11110011	243

Post-conditions: RAM location 243 (binary 11110011) = 255 (binary 11111111)

26. BCRSC

Description: Check a specific bit within a specified RAM location. If the bit IS a ZERO – skip the next two lines of code. If the bit is NOT a ZERO – continue with the next line of code.

Usage: [BCRSC] [bit to check] [Specified RAM location]

Program Bytes Used: 3

Status Flags Affected: None

Example 1: Check bit 2 (binary 0000011) within RAM location 249 (binary 11111001).

Pre-conditions: RAM location 249 (binary 11111001) = 3 (binary 0000011)

PC Binary	Instruction	Machine Code (Binary)	Machine Code (Decimal)
00000000	BCRSC	00011010	26
00000001	3	00000011	3
00000010	249	11111001	249
00000011	JUMP	00011100	28
00000100	16	00010000	16
00000101	HALT	00000000	0

Post-conditions: RAM location 249 (binary 11111001) = 3 (binary 0000011)

Notes: Since bit 2 within RAM location 249 IS a ZERO, the code will skip straight to the HALT instruction.

Example 2: Check bit 2 (binary 0000010) within RAM location 249 (binary 11111001).

Pre-conditions: RAM location 249 (binary 11111001) = 15 (binary 00001111)

PC Binary	Instruction	Machine Code (Binary)	Machine Code (Decimal)
00000000	BCRSC	00011010	26
00000001	3	00000011	3
00000010	249	11111001	249
00000011	JUMP	00011100	28
00000100	16	00010000	16
00000101	HALT	00000000	0

Post-conditions: RAM location 249 (binary 11111001) = 15 (binary 00001111)

Notes: Since bit 2 within RAM location 249 is NOT a ZERO, the code will continue with the JUMP instruction.

27. BCRSS

Description: Check a specific bit within a specified RAM location. If the bit IS a ONE – skip the next two lines of code. If the bit is NOT a ONE – continue with the next line of code.

Usage: [BCRSS] [bit to check] [Specified RAM location]

Program Bytes Used: 3

Status Flags Affected: None

Example 1: Check bit 4 (binary 0000100) within RAM location 248 (binary 11111000).

Pre-conditions: RAM location 248 (binary 11111000) = 31 (binary 00011111)

PC Binary	Instruction	Machine Code (Binary)	Machine Code (Decimal)
00000000	BCRSS	00011011	27
00000001	4	00000100	4
00000010	248	11111000	248
00000011	JUMP	00011100	28
00000100	20	00010100	20
00000101	HALT	00000000	0

Post-conditions: RAM location 248 (binary 11111000) = 31 (binary 00011111)

Notes: Since bit 4 within RAM location 248 IS a ONE, the code will skip straight to the HALT instruction.

Example 2: Check bit 7 (binary 0000111) within RAM location 248 (binary 11111000).

Pre-conditions: RAM location 248 (binary 11111000) = 31 (binary 00011111)

PC Binary	Instruction	Machine Code (Binary)	Machine Code (Decimal)
00000000	BCRSS	00011011	27
00000001	7	00000111	7
00000010	248	11111000	248
00000011	JUMP	00011100	28
00000100	20	00010100	20
00000101	HALT	00000000	0

Post-conditions: RAM location 248 (binary 11111000) = 31 (binary 00011111)

Notes: Since bit 7 within RAM location 248 IS not a ONE, the code will continue with the JUMP instruction.

28. JUMP

Description: Go to a specific RAM location and continue executing instructions from there.

Usage: [JUMP] [Specified RAM location to jump to]

Program Bytes Used: 2

Status Flags Affected: None

Example 1: Jump to RAM location 6 (binary 00000110) and continue executing code from there.

PC Binary	Instruction	Machine Code (Binary)	Machine Code (Decimal)
00000000	JUMP	00011100	28
00000001	6	00000110	6
00000010			0
00000011			0
00000100			0
00000101			0
00000110	JUMP	00011100	28
00000111	0	00000000	0

Notes: This example demonstrates an infinite loop. When first run, the program will jump to line 6 (binary 00000110) which then executes another JUMP instruction, causing the program to jump back to line 0 (binary 00000000).

29. CALL

Description: This instruction is almost identical to the JUMP instruction in that it will jump to a specific RAM location to keep executing code. The difference here is that the call instruction will save the current RAM location so that we may later return to the code that used the CALL instruction later. (The RETURN or RETLA instruction is used to return to our calling code).

Usage: [CALL] [Specified RAM location to jump to]

Program Bytes Used: 2

Status Flags Affected: None

Example 1: Jump to RAM location 6 (binary 00000110), continue executing code from there then return to continue executing code as normal.

PC Binary	Instruction	Machine Code (Binary)	Machine Code (Decimal)
00000000	CALL	00011101	29
00000001	6	00000110	6
00000010	HALT	00000000	0
00000011			0
00000100			0
00000101			0
00000110	COPYRR	00000111	7
00000111	BUTTONREGISTER	11111101	253
00001000	DATALEDREGISTER	11111111	255
00001001	RETURN	00011111	31

Notes: When the program is run, the code will jump to RAM location 6 (binary 00000110) to continue executing code. It will also store the number 2 (binary 00000010) in the background since this is our return address for when a RETURN or RETLA instruction is executed. The code will continue executing from RAM location 6 (binary 00000110) and will copy the contents of the ButtonRegister to the DataLEDRegister). The code will then return to RAM location 2 (binary 00000010) to continue executing instructions which in this case - will HALT the CPU.

Example 2: Jump to RAM location 6 (binary 00000110), continue executing code from there then return to continue executing code as normal.

PC Binary	Instruction	Machine Code (Binary)	Machine Code (Decimal)
00000000	CALL	00011101	29
00000001	6	00000110	6
00000010	COPYAR	00000101	5
00000011	DataLEDRegister	11111111	255
00000100	HALT	00000000	0
00000101			0
00000110	RETLA	00011110	30
00000111	16	00010000	16

Notes: When the program is run, the code will jump to RAM location 6 (binary 00000110) to continue executing code. It will also store the number 2 (binary 00000010) in the background since this is our return address for when a RETURN or RETLA instruction is executed. The code will continue executing from RAM location 6 (binary 00000110) which in this case will immediately return with the number 16 (binary 00010000) in the accumulator. The code will then continue from line 2 (binary 00000010) where the contents of the accumulator will be copied to the DataLEDRegister. The code will then finish with the HALT instruction.

30. RETLA

Description: This instruction will return with an 8-bit number in the accumulator, to the next ram location in sequence after a call instruction is executed.

Usage: [RETLa] [Value to store in the accumulator]

Program Bytes Used: 2

Status Flags Affected: None

Example 1: See example 2 of the CALL instruction (instruction 29)

31. RETURN

Description: This instruction will return to the next ram location in sequence after a call instruction is executed.

Usage: [RETURN]

Program Bytes Used: 1

Status Flags Affected: None

Example 1: See example 1 of the CALL instruction (instruction 29)

32. ADDRPC

Description: Add the contents of a RAM location to the program counter

Usage: [ADDRPC][RAM location which contains the number that will be added to the program counter]

Program Bytes Used: 2

Status Flags Affected: None

Example 1: Add the value stored within 'myVariable' to the program counter ('myVariable' is an alias for RAM location 240)

Pre-conditions: 'myVariable' = 0 (binary 00000000)

PC Binary	Instruction	Machine Code (Binary)	Machine Code (Decimal)
00010000	ADDRPC	00100000	32
00010001	myVariable	11110000	240
00010010	RETLA	00011110	30
00010011	120	01111000	120
00010100	RETLA	00011110	30
00010101	201	11001001	201
00010110	RETLA	00011110	30
00010111	234	11101010	234

Notes: This part of the program starts with the program counter at 00010000 which means a call would have been executed previously to get here. When ADDRPC is executed, the program counter increments to 00010001 to get the register which contains the number to add to the program counter. myVariable contains the number 0 (binary 00000000) which results in nothing being added to the program counter, and the program counter will simply execute the next instruction in sequence as normal. i.e. the next instruction will be program counter = 00010011.

See the POV Smiley Face program for an example of where ADDRPC is used.

Example 2: Add the value stored within 'myVariable' to the program counter ('myVariable' is an alias for RAM location 240)

Pre-conditions: 'myVariable' = 4 (binary 00000100)

PC Binary	Instruction	Machine Code (Binary)	Machine Code (Decimal)
00010000	ADDRPC	00100000	32
00010001	myVariable	11110000	240
00010010	RETLA	00011110	30
00010011	120	01111000	120
00010100	RETLA	00011110	30
00010101	201	11001001	201
00010110	RETLA	00011110	30
00010111	234	11101010	234

Notes: This part of the program starts with the program counter at 00010000 which means a call would have been executed previously to get here. When ADDRPC is executed, the program counter increments to 00010001 to get the register which contains the number to add to the program counter. myVariable contains the number 4 (binary 00000100) which results in the program counter jumping ahead four spaces (to 00010101) and THEN executing the next instruction in sequence. Therefore after the ADDRPC instruction has been run, the next line to execute is 00010110.